



Safety Speed

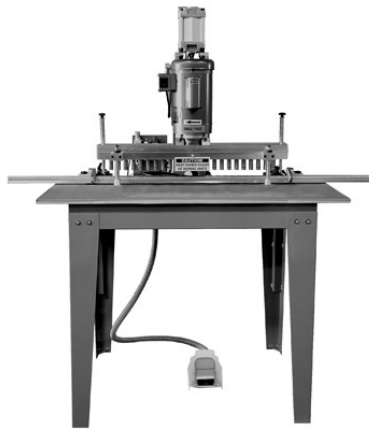
Manufacturing Company

Pricing Guide

for Machines & Accessories
Effective March 1st, 2019

(Prices subject to change)

**ALL
PRODUCTS
MADE IN U.S.A.**



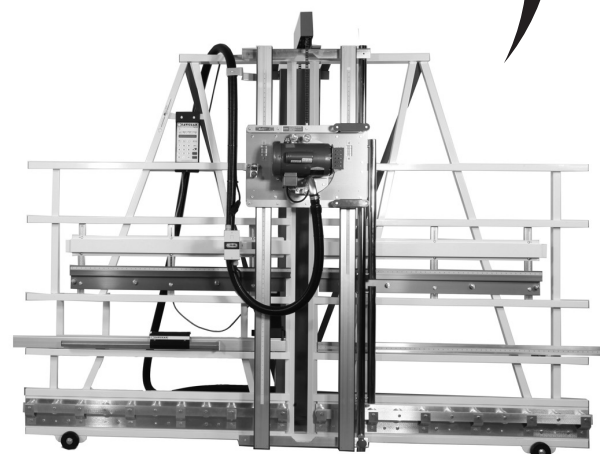
Line Boring Machine
By Conquest



Glue Pot
Edge Bander



Screw Pocket Machine



Vertical Panel Saw

Panel Saws

Price



C4 Panel Saw	\$1,877
C5 Panel Saw	\$2,097
Freight Rate Continental U.S.*	\$189



H4 Panel Saw	\$2,777
H5 Panel Saw	\$2,947
H6 Panel Saw	\$3,177
Freight Rate Continental U.S.*	\$349



6400 Panel Saw	\$4,877
6800 Panel Saw	\$5,387
Freight Rate Continental U.S.*	\$369

See Heavier Duty Saws on Back Page

Save BIG with a Vertical Panel Saw Accessory Package or A la Carte Package!

BRONZE PACKAGE

QUICK STOP™ Gauge 5ft/1.52m, Saw Blade 840ATB, Fixed Stand/Folding Stand with C-Series, Wheels

Save
Over
20%

Itemized Price: Over \$650
YOUR PRICE: \$519

SILVER PACKAGE

QUICK STOP™ Gauge 8ft/2.44m, Saw Blade 860ATB, Dust Collection Kit, Fixed Stand/Folding Stand with C-Series, Wheels

Save
Over
20%

Itemized Price: Over \$1,000
YOUR PRICE: \$799

GOLD PACKAGE

MIDWAY Fence™, QUICK STOP™ Gauge 8ft/2.44m, Saw Blade 864NRATB, Fixed Stand/Folding Stand with C-Series, Wheels

Save
Over
20%

Itemized Price: Over \$1,300
YOUR PRICE: \$999

A LA CARTE PACKAGE

Save
20%

Buy 4 or More Panel Saw Accessories and Receive 20% Off Total Price (Saw Gear and Tiger Stop Excluded)

Routers

Price

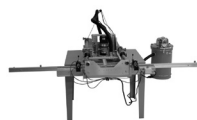


SR5 Panel Saw/Router	\$5,767
SR5U Panel Saw/Router Upgrade	\$6,687
SR5A ACM Accessorized	\$6,657
SR5U-A ACM Accessorized	\$7,277
Freight Rate Continental U.S.*	\$499



3400 Vertical Panel Router	\$4,687
Freight Rate Continental U.S.*	\$429

Part #	Accessories	
3470	Midway Fence	\$595
VPR DUST	Dust Kit	\$255
3430	Air Clamps	\$939
6420	Stand	\$173
H6460	Quick Stop Gauge	\$319



TR2 Horizontal Table Router	\$4,177
Freight Rate Continental U.S.*	\$329

Part #	Accessories	
4450	Gauging System	\$255
TR DUST	Dust Kit	\$135
4430	Extensions (PER SIDE)	\$309

Factory Options For Panel Saws & Routers

220V Upgrade (per motor)	\$145
Nylon Roller Upgrade (C&H Series SR5)	\$255
2"/50mm Depth of Cut (C&H Series 6400/6800)	\$265

Saw Blades

Price

8200HG	Thin Wood, Polycarbonate	\$69
840ATB	General Purpose Wood	\$139
860ATBL	Premium Wood	\$169
860ATB	Fine Wood, Foam Core	\$179
860TCG	Synthetic Materials, Plastic	\$179
864NRATB	Melamine, Laminates	\$189
860NRTCG	Non-Ferrous Metal	\$189
860TCGS	Premium Plastics, Thin Aluminum	\$209
880ATBL	Veneer, Fine Wood, Foam Core	\$209
880TCGL	Thin Plastics	\$209

Blade Package (Qty. 3)	Wood, Plastics, Aluminum 3-60 Tooth Carbide Blades 8"	\$369
------------------------	--	-------

Ask about our Referral Program
Freight Rates are Continental U.S. only
www.safetyspeed.com

ACCESSORIES

ALL PRODUCTS
MADE IN U.S.A.

BE PORTABLE

PART #	WHEELS	
H10	(ALL VERTICAL PANEL SAWS)	\$68
<hr/>		
	STAND FIXED	
H20	C4, H4, H5	\$173
H25	H6, 6800	\$184
6420	6400, 3400, SR5, SR5U	\$173
<hr/>		
	STAND FOLDING	
H22	C4	\$194
H23	C5	\$199

MEASURE WITH ACCURACY

PART #	QUICK STOP	
C6460	C4, C5 (5ft/1.52m)	\$279
H6460	H4, H5, H6, 6400, 6800 SR5, SR5U, 3400 (8ft/2.44m)	\$319
<hr/>		
	DIGITAL QUICK STOP	
C6460-DRO	C4, C5	\$539
H6460-DRO	H4, H5, H6, 6400, 6800 SR5, SR5U, 3400, 7000	\$649
<hr/>		
	LASER LINE	
LLC4-6800	C4, C5, H4, H5, H6 6400, 6800	\$159
LL7400	7000, 7400	\$189
<hr/>		
H6450	STOP BAR	\$599
<hr/>		
	MIDWAY FENCE FLIP STOP	
H6480	FITS ALL MODELS EXCEPT ES5210	\$275
<hr/>		
	GAUGING SYSTEM	
4450	TR2	\$255

	SAWGEAR AUTO LENGTH STOP	
SG08-DM	(Retro for existing saws) Call for Pricing	

FIND YOUR NEAREST DEALER
OR ORDER ONLINE AT:

WWW.SAFETYSPEED.COM

800-772-2327

MAXIMIZE DUST COLLECTION

DUST KIT

INCLUDES: HOSE, ROLLERS, DUST TUBE & ELBOW

PART #		
VPSDUST	C4, C5, H4, H5, H6, 6400, 6800	\$255
VSRDUST	SR5, SR5U	\$285
VPRDUST	3400	\$255
TRDUST	TR2	\$135
EXISTING MACHINES MAY REQUIRE DUST BONNETT		\$139

INDUSTRIAL VACUUMS

740C	1 HP, 100 CFM, 90" S.P.	\$685
740CC	2.25 HP, 115 CFM, 110" S.P.	\$799

AUTOMATER

AUTO1	120 VOLT ONLY	\$209
-------	---------------	-------

EXPAND THE CAPABILITY

PART #	MIDWAY FENCE	
C6470	C4, C5	\$449
H6470	H4, H5, H6, 6400, 6800, 7000	\$559
3470	3400	\$595

EXTENSIONS

H30	C4, C5, H4, H5, H6, SR5 (PAIR)	\$199
6430	6400, 6800, SR5U, 3400, 7000(PAIR)	\$289
4430	TR2 (PER SIDE)	\$309

CLAMP IT

PART #	HOLD DOWN BAR	
H440	C4, H4	\$219
H550	C5, H5	\$229
H660	H6, 6800	\$259
6440	6400, SR5, SR5U, 3400	\$239

AIR CLAMPS

3430	3400	\$939
3430TR2	TR2	\$939

PANEL MOVER

PART #	PANEL DOLLY	
PD1	(ALL MACHINES)	\$239

Panel Saws

Price



7000M 3 HP, 3~ 230V	\$8,599
7000MA 3 HP, 3~ 460V	\$8,599
7000 2 HP, 1~ 230V	\$8,699
Freight Continental U.S.*	\$599



7400M 3 HP, 3~ 230V	\$10,599
7400MA 3 HP, 3~ 460V	\$10,599
7400 2 HP, 1~ 230V	\$10,699
7400XLM 3 HP, 3~ 230V	\$12,199
7400XLMA 3 HP, 3~ 460V	\$12,199
7400XL 2 HP, 1~ 230V	\$12,299
Freight Continental U.S.*	\$599

PART

Accessories

LL7400	LASER LINE	\$189
H6480	MIDWAY FENCE FLIP STOP	\$275
H6450	STOP BAR	\$599
H6460-DRO	DIGITAL QUICK STOP	\$649
740090	SCORING SYSTEM	\$1,259
SG08-PS	SAWGEAR AUTO LENGTH STOP (Newer Saws w/ Hoops)	Call for Pricing
SG08-DM	SAWGEAR AUTO LENGTH STOP (Retro for Existing Saws)	Call for Pricing
TS08-PS	TIGERSTOP AUTO LENGTH STOP	Call for Pricing

Frame Modification for Saw Gear and Tigerstop - \$299.
(6400, 7000, SR5, SR5U) Add \$199 to Freight Cost for addition of Auto Length Stops.

*Export Shipments add \$400 for crating, documentation, and misc. requirements.

*Non-commercial & lift charges \$75 additional for each service.

*Schools are considered non-commercial.

**Professional installation available, please call for current lead time and installation pricing.

Ask about our Referral Program

**Freight Rates are
Continental U.S. only**

**3 Year Warranty
on products over \$6,999**

Edge Banders

Price



Hot Air 60HA	\$7,499
Freight Rate Continental U.S.*	\$399



Glue Pot 72GP	\$9,999
Freight Rate Continental U.S.*	\$399

Accessories:

Hot Melt Glue EZ-Glue Jowatt	\$199
282.20 (low temp) - 44lbs.	

Wide Belt Sanders

Price



3760 Wide Belt Sander	
10 HP, 1~	\$12,379
15 HP, 3~	\$12,689
Freight Continental U.S.*	\$499



4375 Wide Belt Sander	
10 HP, 1~	\$16,639
20 HP, 3~	\$16,999
30 HP, 3~	\$17,999
Freight Continental U.S.*	\$549

PART

Accessories:

WBASCALE	DIGITAL READOUT	\$669
WBATABLE	POWER LIFT TABLE	\$1,399
WBAHMETER	HOUR METER	\$169

Additional Parts required for 460V operation - WBA460V - \$899.
Call Technical Service for more information 1-800-772-2327.

Abrasive Belts

(2 Per Package)

Sanding Grit	PART #	37x60	PART #	43x75
40 Grit	3760040	\$143	4375040	\$184
60 Grit	3760060	\$133	4375060	\$164
80 Grit	3760080	\$133	4375080	\$164
100 Grit	3760100	\$123	4375100	\$153
120 Grit	3760120	\$123	4375120	\$153
150 Grit	3760150	\$123	4375150	\$153
180 Grit	3760180	\$123	4375180	\$153

Screw Pocket Machine

Price



SPM301 Screw Pocket Machine	\$5,299
SPM301HD Screw Pocket Machine	\$6,999
SP-A Table Extension	\$399
Freight Continental U.S.*	\$299

**FIND YOUR NEAREST DEALER OR
PLACE YOUR ORDER ONLINE:**

www.safetyspeed.com

or



Call Your Order:
800-772-2327 or 763-755-1600



Email Your Order:
orders@safetyspeed.com



Safety Speed Mfg., 13943 Lincoln Street NE, Ham Lake, MN 55304, U.S.A.