



# Safety Speed

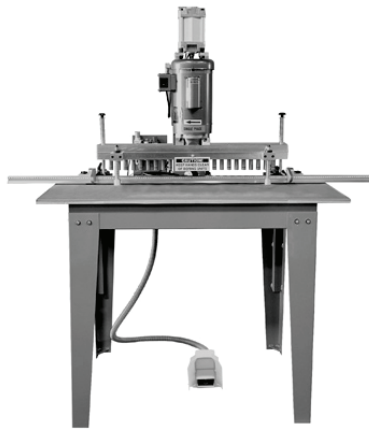
Manufacturing Company

## Pricing Guide

for Machines & Accessories  
Effective September 17th, 2018

*(Prices subject to change)*

**ALL  
PRODUCTS  
MADE IN U.S.A.**



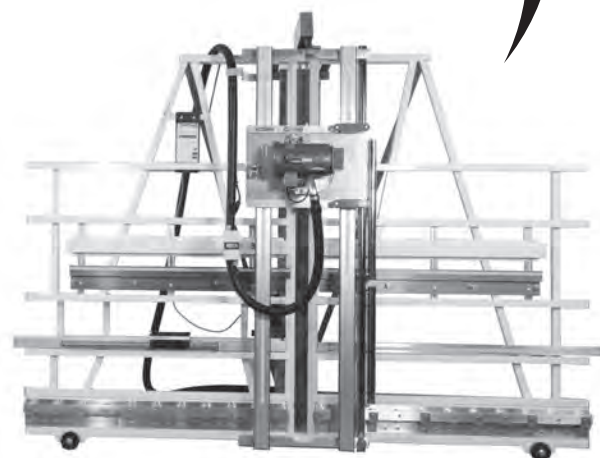
Line Boring Machine  
By Conquest



Glue Pot  
Edge Bander



Screw Pocket Machine



Vertical Panel Saw

## Panel Saws

## Price



**C4 Panel Saw** \$1,877  
**C5 Panel Saw** \$2,097  
 Freight Rate Continental U.S.\* \$189



**H4 Panel Saw** \$2,777  
**H5 Panel Saw** \$2,947  
**H6 Panel Saw** \$3,177  
 Freight Rate Continental U.S.\* \$299



**6400 Panel Saw** \$4,877  
**6800 Panel Saw** \$5,387  
 Freight Rate Continental U.S.\* \$369

See Heavier Duty Saws on Back Page

## Save BIG with a Vertical Panel Saw Accessory Package or A la Carte Package!

### **BRONZE PACKAGE**

QUICK STOP™ Gauge 5ft/1.52m, Saw Blade 840ATB, Fixed Stand/Folding Stand with C-Series, Wheels

Save  
Over  
20%

Itemized Price: Over \$650  
**YOUR PRICE: \$519**

### **SILVER PACKAGE**

QUICK STOP™ Gauge 8ft/2.44m, Saw Blade 860ATB, Dust Collection Kit, Fixed Stand/Folding Stand with C-Series, Wheels

Save  
Over  
20%

Itemized Price: Over \$1,000  
**YOUR PRICE: \$799**

### **GOLD PACKAGE**

MIDWAY Fence™, QUICK STOP™ Gauge 8ft/2.44m, Saw Blade 864NRATB, Fixed Stand/Folding Stand with C-Series, Wheels

Save  
Over  
20%

Itemized Price: Over \$1,300  
**YOUR PRICE: \$999**

### **A LA CARTE PACKAGE**

Save  
20%

Buy 4 or More Panel Saw Accessories and Receive 20% Off Total Price (Saw Gear and Tiger Stop Excluded)

## Routers

## Price



**SR5 Panel Saw/Router** \$5,767  
**SR5U Panel Saw/Router Upgrade** \$6,687  
**SR5A ACM Accessorized** \$6,657  
**SR5U-A ACM Accessorized** \$7,277  
 Freight Rate Continental U.S.\* \$469



**3400 Vertical Panel Router** \$4,687  
 Freight Rate Continental U.S.\* \$429

Part #	Accessories	
3470	Midway Fence	\$595
VPR DUST	Dust Kit	\$255
3430	Air Clamps	\$939
6420	Stand	\$173
H6460	Quick Stop Gauge	\$319



**TR2 Horizontal Table Router** \$4,177  
 Freight Rate Continental U.S.\* \$329

Part #	Accessories	
4450	Gauging System	\$255
TR DUST	Dust Kit	\$135
4430	Extensions (PER SIDE)	\$309

### Factory Options For Panel Saws & Routers

220V Upgrade (per motor)	\$145
Nylon Roller Upgrade (C&H Series SR5)	\$255
2"/50mm Depth of Cut (C&H Series 6400/6800)	\$265

## Saw Blades

## Price

8200HG	Thin Wood, Polycarbonate	\$69
840ATB	General Purpose Wood	\$139
860ATBL	Premium Wood	\$169
860ATB	Fine Wood, Foam Core	\$179
860TCG	Synthetic Materials, Plastic	\$179
864NRATB	Melamine, Laminates	\$189
860NRTCG	Non-Ferrous Metal	\$189
860TCGS	Premium Plastics, Thin Aluminum	\$209
880ATBL	Veneer, Fine Wood, Foam Core	\$209
880TCGL	Thin Plastics	\$209

Blade Package (Qty. 3)	Wood, Plastics, Aluminum 3-60 Tooth Carbide Blades 8"	\$369
------------------------	--	-------

Ask about our Referral Program  
 Freight Rates are Continental U.S. only  
[www.safetyspeed.com](http://www.safetyspeed.com)

# ACCESSORIES

ALL PRODUCTS  
MADE IN U.S.A.

## BE PORTABLE

<b>PART #</b>	<b>WHEELS</b>	
H10	(ALL VERTICAL PANEL SAWS)	\$68
<hr/>		
	<b>STAND FIXED</b>	
H20	C4, H4, H5	\$173
H25	H6	\$184
6420	6400, 3400, SR5, SR5U	\$173
6820	6800	\$184
<hr/>		
	<b>STAND FOLDING</b>	
H22	C4	\$194
H23	C5	\$199

## MEASURE WITH ACCURACY

<b>PART #</b>	<b>QUICK STOP</b>	
C6460	C4, C5 (5ft/1.52m)	\$279
H6460	H4, H5, H6, 6400, 6800 SR5, SR5U, 3400 (8ft/2.44m)	\$319
<hr/>		
	<b>DIGITAL QUICK STOP</b>	
C6460-DRO	C4, C5	\$539
H6460-DRO	H4, H5, H6, 6400, 6800 SR5, SR5U, 3400, 7000	\$649
<hr/>		
	<b>LASER LINE</b>	
LLC4-6800	C4, C5, H4, H5, H6 6400, 6800	\$159
LL7400	7000, 7400	\$189
<hr/>		
H6450	<b>STOP BAR</b>	\$599
<hr/>		
	<b>MIDWAY FENCE FLIP STOP</b>	
H6480	FITS ALL MODELS EXCEPT ES5210	\$275
<hr/>		
	<b>GAUGING SYSTEM</b>	
4450	TR2	\$255
<hr/>		
	<b>SAWGEAR AUTO LENGTH STOP</b>	
SG08-DM	(Retro for existing saws)	Call for Pricing

## MAXIMIZE DUST COLLECTION

	<b>DUST KIT</b>	
	INCLUDES: HOSE, ROLLERS, DUST TUBE & ELBOW	
<b>PART #</b>		
VPSDUST	C4, C5, H4, H5, H6, 6400, 6800	\$255
VSRDUST	SR5, SR5U	\$285
VPRDUST	3400	\$255
TRDUST	TR2	\$135
	EXISTING MACHINES MAY REQUIRE DUST BONNETT	\$139
<hr/>		
	<b>INDUSTRIAL VACUUMS</b>	
740C	1 HP, 100 CFM, 90" S.P.	\$685
740CC	2.25 HP, 115 CFM, 110" S.P.	\$799
<hr/>		
	<b>AUTOMATER</b>	
AUTO1	120 VOLT ONLY	\$209

## EXPAND THE CAPABILITY

<b>PART #</b>	<b>MIDWAY FENCE</b>	
C6470	C4, C5	\$449
H6470	H4, H5, H6, 6400, 6800, 7000	\$559
3470	3400	\$595
<hr/>		
	<b>EXTENSIONS</b>	
H30	C4, C5, H4, H5, H6, SR5 (PAIR)	\$199
6430	6400, 6800, SR5U, 3400, 7000(PAIR)	\$289
4430	TR2 (PER SIDE)	\$309

## CLAMP IT

<b>PART #</b>	<b>HOLD DOWN BAR</b>	
H440	C4, H4	\$219
H550	C5, H5	\$229
H660	H6	\$239
6440	6400, SR5, SR5U, 3400	\$239
6840	6800	\$259
<hr/>		
	<b>AIR CLAMPS</b>	
3430	3400	\$939
3430TR2	TR2	\$939

## PANEL MOVER

<b>PART #</b>	<b>PANEL DOLLY</b>	
PD1	(ALL MACHINES)	\$239

FIND YOUR NEAREST DEALER  
OR ORDER ONLINE AT:

[WWW.SAFETYSPEED.COM](http://WWW.SAFETYSPEED.COM)

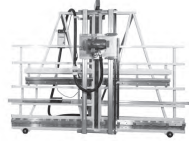
800-772-2327

## Panel Saws

## Price



<b>7000M</b> 3 HP, 3~ 230V	<b>\$8,599</b>
<b>7000MA</b> 3 HP, 3~ 460V	<b>\$8,599</b>
<b>7000</b> 2 HP, 1~ 230V	<b>\$8,699</b>
Freight Continental U.S.*	\$599



<b>7400M</b> 3 HP, 3~ 230V	<b>\$10,599</b>
<b>7400MA</b> 3 HP, 3~ 460V	<b>\$10,599</b>
<b>7400</b> 2 HP, 1~ 230V	<b>\$10,699</b>
<b>7400XLM</b> 3 HP, 3~ 230V	<b>\$12,199</b>
<b>7400XLMA</b> 3 HP, 3~ 460V	<b>\$12,199</b>
<b>7400XL</b> 2 HP, 1~ 230V	<b>\$12,299</b>
Freight Continental U.S.*	\$599

### PART #

### Accessories

LL7400	LASER LINE	\$189
H6480	MIDWAY FENCE FLIP STOP	\$275
H6450	STOP BAR	\$599
H6460-DRO	DIGITAL QUICK STOP	\$649
740090	SCORING SYSTEM	\$1,259
SG08-PS	SAWGEAR AUTO LENGTH STOP (Newer Saws w/ Hoops)	Call for Pricing
SG08-DM	SAWGEAR AUTO LENGTH STOP (Retro for Existing Saws)	Call for Pricing
TS08-PS	TIGERSTOP AUTO LENGTH STOP	Call for Pricing

Frame Modification for Saw Gear and Tigerstop - \$299.  
(6400, 7000, SR5, SR5U) Add \$199 to Freight Cost for addition of Auto Length Stops.

\*Export Shipments add \$400 for crating, documentation, and misc. requirements.

\*Non-commercial & lift charges \$75 additional for each service.

\*Schools are considered non-commercial.

\*\*Professional installation available, please call for current lead time and installation pricing.

**Ask about our Referral Program**

**Freight Rates are  
Continental U.S. only**

**3 Year Warranty  
on products over \$6,999**

## Edge Banders

## Price



<b>Hot Air 60HA</b>	<b>\$7,499</b>
Freight Rate Continental U.S.*	\$399



<b>Glue Pot 72GP</b>	<b>\$9,999</b>
Freight Rate Continental U.S.*	\$399

### Accessories:

Hot Melt Glue EZ-Glue Jowatt	\$199
282.20 (low temp) - 44lbs.	

## Wide Belt Sanders

## Price



<b>3760 Wide Belt Sander</b>	
10 HP, 1~	<b>\$12,379</b>
15 HP, 3~	<b>\$12,689</b>
Freight Continental U.S.*	\$499



<b>4375 Wide Belt Sander</b>	
10 HP, 1~	<b>\$16,639</b>
20 HP, 3~	<b>\$16,999</b>
30 HP, 3~	<b>\$17,999</b>
Freight Continental U.S.*	\$549

### PART #

### Accessories:

WBASCALE	DIGITAL READOUT	\$669
WBATABLE	POWER LIFT TABLE	\$1,399
WBAHMETER	HOUR METER	\$169

Additional Parts required for 460V operation - WBA460V - \$899.  
Call Technical Service for more information 1-800-772-2327.

## Abrasive Belts

(2 Per Package)

Sanding Grit	PART #	37x60	PART #	43x75
<b>40 Grit</b>	3760040	<b>\$143</b>	4375040	<b>\$184</b>
<b>60 Grit</b>	3760060	<b>\$133</b>	4375060	<b>\$164</b>
<b>80 Grit</b>	3760080	<b>\$133</b>	4375080	<b>\$164</b>
<b>100 Grit</b>	3760100	<b>\$123</b>	4375100	<b>\$153</b>
<b>120 Grit</b>	3760120	<b>\$123</b>	4375120	<b>\$153</b>
<b>150 Grit</b>	3760150	<b>\$123</b>	4375150	<b>\$153</b>
<b>180 Grit</b>	3760180	<b>\$123</b>	4375180	<b>\$153</b>

## Screw Pocket Machine

## Price



<b>SPM301 Screw Pocket Machine</b>	<b>\$5,299</b>
<b>SPM301HD Screw Pocket Machine</b>	<b>\$6,999</b>
<b>SP-A Table Extension</b>	<b>\$399</b>
Freight Continental U.S.*	\$299

**FIND YOUR NEAREST DEALER OR  
PLACE YOUR ORDER ONLINE:**

**www.safetyspeed.com**

or



Call Your Order:  
**800-772-2327 or 763-755-1600**



Email Your Order:  
**orders@safetyspeed.com**



Safety Speed Mfg., 13943 Lincoln Street NE, Ham Lake, MN 55304, U.S.A.